

Concealed wall elbow -

35 085 970

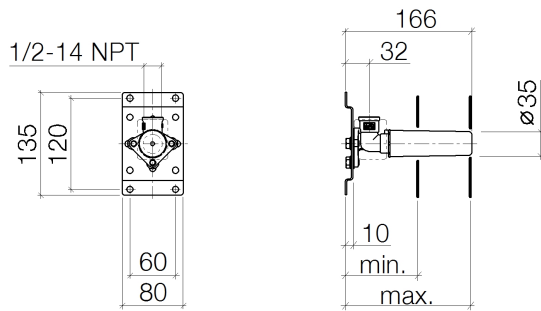


- red brass, lead-free
- female thread 1/2" connection
- 1x female thread 1/2" outlet
- dust cover
- anti-water packing
- soundproofing



Concealed wall elbow -

35 085 970



| | min | max |
|-----------|-----|-----|
| CL_1 | 90 | 163 |
| Deque | 90 | 163 |
| Domicil | 90 | 163 |
| Gentle | 90 | 163 |
| IMO | 90 | 163 |
| Lissé | 90 | 163 |
| MEM | 90 | 163 |
| Symetrics | 90 | 163 |
| Vaia | 90 | 163 |

Codes & Standards

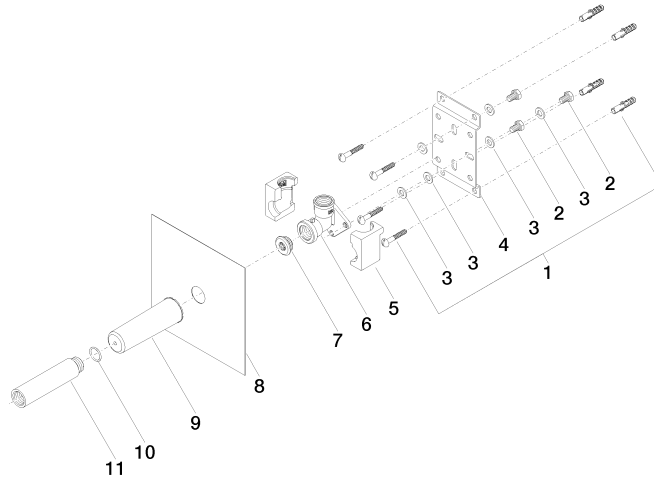
ASME
A112.18.1/CSA
B125.1

Certificates

IAPMO_N-4976 (2). IAPMO_4976 (3). IAPMO_6397 (1).

Concealed wall elbow -

35 085 970



Spare parts list

| No. | Item Number | Name | Quantity used | Delivery time |
|-----|--------------------|-------------|---------------|---------------|
| 1 | 04 30 31 024 01 90 | fixing set | 2 | 2 |
| 2 | 09 30 30 152 90 | screw | 3 | 2 |
| 3 | 09 30 11 139 90 | disc | 6 | 2 |
| 4 | 09 17 20 094 90 | holder | 1 | 2 |
| 5 | 09 11 11 036 90 | accessories | 1 | 2 |
| 6 | 09 11 03 042 10 90 | connection | 1 | 60 |
| 7 | 04 31 20 006 00 90 | plug | 1 | 2 |
| 8 | 04 14 03 072 01 90 | gasket kit | 1 | 2 |
| 9 | 09 21 02 102 90 | cap | 1 | 2 |
| 10 | 90 14 10 010 00 90 | seal | 1 | 2 |
| 11 | 09 24 03 169 10 90 | adaptor | 1 | 2 |